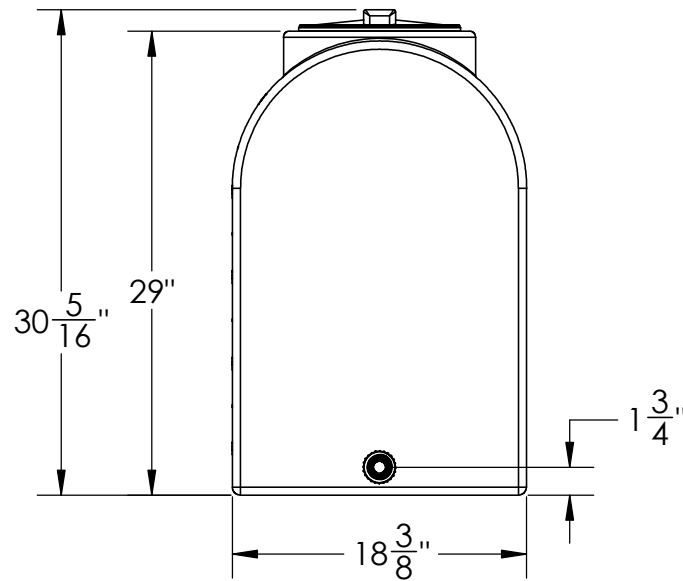


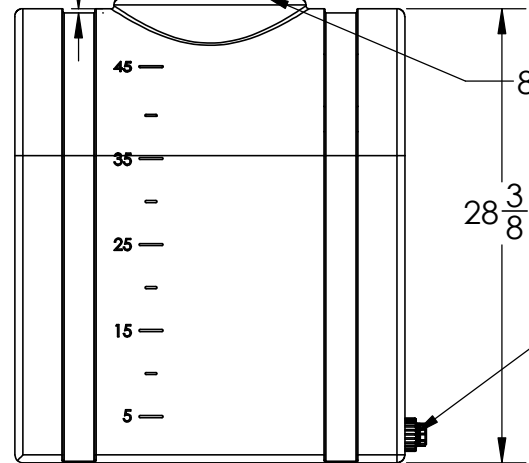
8" Closed Non-Vented Lid  
#970325

1/4"

8" Lid Ring with Gasket  
#970326



1 3/4"



3/4" PP Bulkhead Fitting  
#970233

45 Gal Loaf Tank  
w/ End Fitting &  
Gasketed Ring & Lid



1390 Neubrecht Road  
Lima, Ohio 45801

STOCK NO. **23634, 23636** REV **A**

DO NOT SCALE DRAWING

WEIGHT: 22 lbs.

DIMENSIONS ARE IN INCHES TOLERANCE: ± 1/4"		NAME	DATE
MATERIAL	LLDPE - FDA resin	DRAWN	NJV 4/23/24
CAPACITY	45 Gallon	APPROVED	
GRADUATIONS	5 Gallon	REVISIONS	
NOMINAL WALL THICKNESS	3/16"	COMMENTS: UV Stabilized Natural, Black	

**PROPRIETARY AND CONFIDENTIAL**  
THE INFORMATION CONTAINED IN THIS  
DRAWING IS THE SOLE PROPERTY OF  
TAMCO. ANY REPRODUCTION IN PART  
OR AS A WHOLE WITHOUT THE WRITTEN  
PERMISSION OF TAMCO IS PROHIBITED.

MAX. OPERATING TEMP. 140°F  
INTERMITTENT SERVICE TO 160°F  
SEE CHEMICAL RESISTANCE  
CHART FOR COMPATABILITY